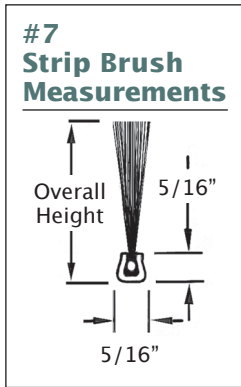


#7 Backing Strip Brushes

Galvanized steel channel, 72" overall length
5/16" x 5/16"



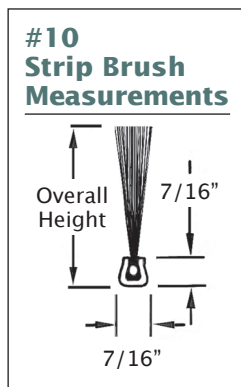
Part #	Fill Material	Overall Height
23190	.010 Crimped black nylon	1"
23191	.014 Crimped black nylon	2"
23192	.014 Crimped black nylon	3"
23193	.020 Crimped black nylon	4"
23194	.020 Crimped black nylon	6"
80998	.045 Crimped black nylon	6"
◆ 23208	Black horsehair	1"
◆ 23209	Black horsehair	2"
◆ 23210	Black horsehair	3"
23214	White tampico	1"
23215	White tampico	2"
23216	White tampico	3"

Stainless steel channel, 72" overall length
5/16" x 5/16"

Part #	Fill Material	Overall Height
● 44765	.006 Stainless steel	1"
● 44766	.010 Stainless steel	2"
● 44767	.014 Stainless steel	3"
● 44768	.010 Stainless steel	4"
● 44769	.014 Stainless steel	6"
23200	.010 Crimped black nylon	1"
23201	.014 Crimped black nylon	2"
23202	.014 Crimped black nylon	3"
23203	.020 Crimped black nylon	4"
23204	.020 Crimped black nylon	6"
● 44785	.006 Brass	1"
● 44786	.010 Brass	2"
● 44787	.014 Brass	3"
● 44788	.010 Brass	4"
● 44789	.014 Brass	6"

#10 Backing Strip Brushes

Galvanized steel channel, 72" overall length
7/16" x 7/16"

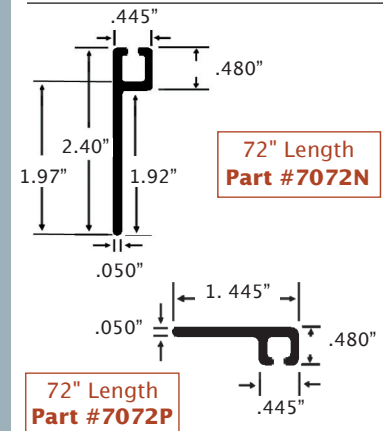


Part #	Fill Material	Overall Height
23222	.014 Crimped black nylon	2"
23223	.020 Crimped black nylon	3"
23224	.020 Crimped black nylon	4"
23225	.030 Crimped black nylon	5"
23226	.050 Crimped black nylon	6"

ALUMINUM CHANNEL HOLDERS

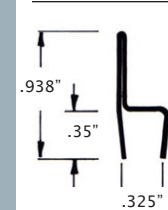
Aluminum strip holders in two standard styles. Other styles are available upon request.

#7 Channel Holders



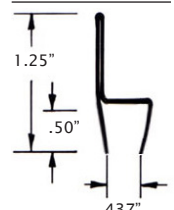
STAINLESS STEEL CHANNEL HOLDERS

#7 Channel Holders

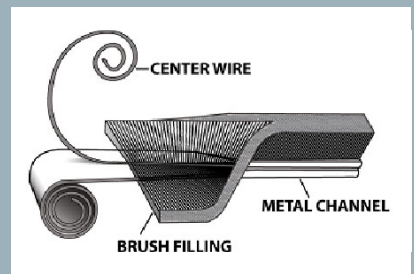


72" Length
Part #7072SS

#10 Channel Holders



72" Length
Part #10072SS



Additional strip brush sizes and styles are available on request.
Find a design sheet at
www.gordonbrush.com/custom-strip-brushes.php or go to page 24.

◆ Anti-Static ▲ Static Dissipative ● Conductive